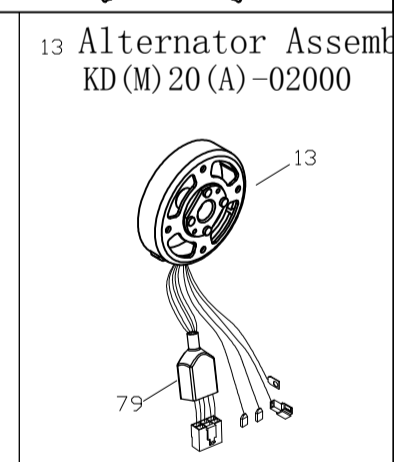
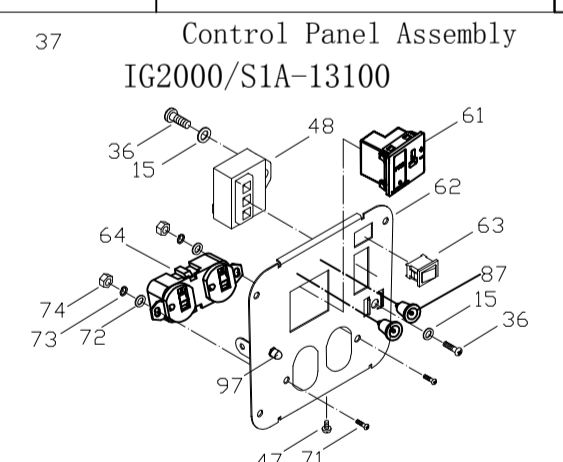
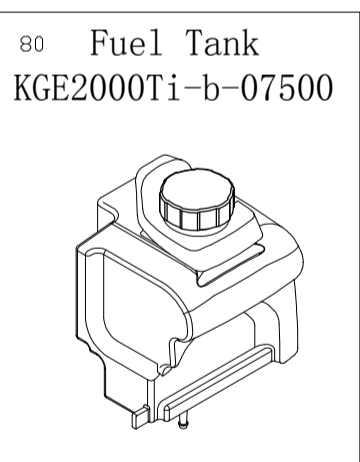
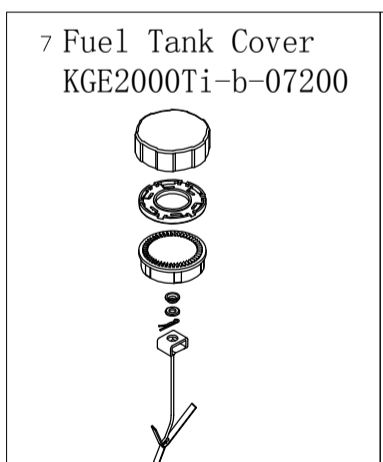
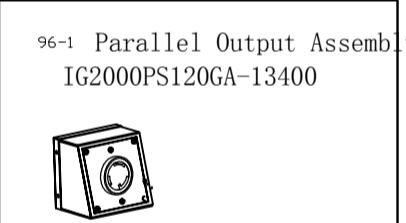
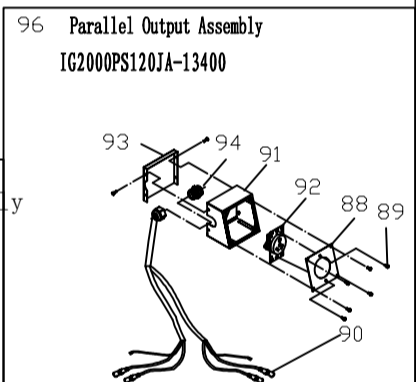
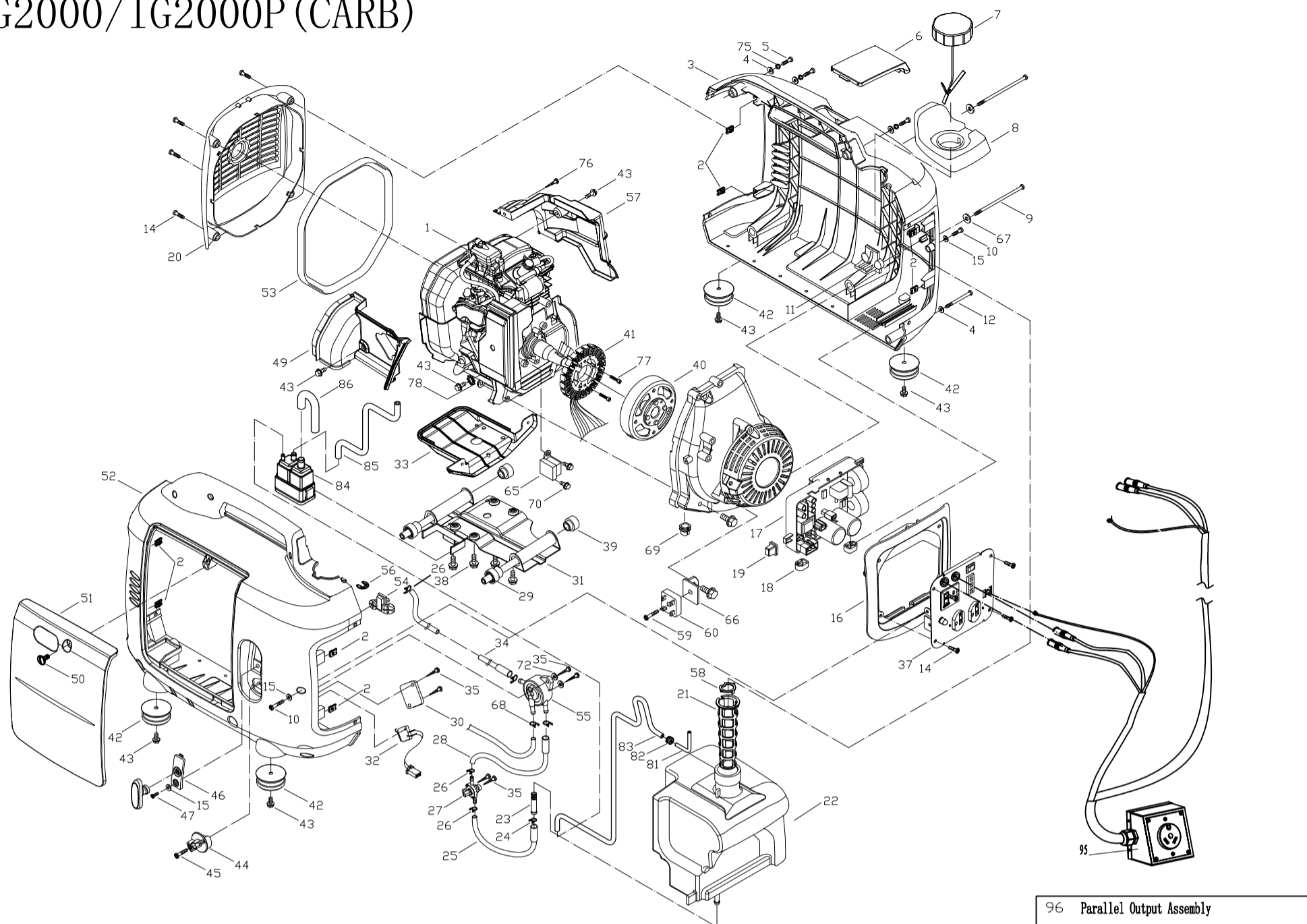


IG2000/IG2000P (CARB)



Ref	P/N	Description	Qty	Ref	P/N	Description	Qty	Ref	P/N	Description	Qty	Ref	P/N	Description	Qty	Ref	P/N	Description	Qty
1	KG158-b-00000	KG158 Gasoline Engine Assembly	1	21	KGE1000Ti-b-07011	Filter Bow	1	41	KD20 (A)-02100	Stator Assembly	1	61	WZ-Z2-a	DC Receptacle	1	81	KGE2000Ti-b-07004	Ventilation Pipe	1
2	KGE3000Ti-03008	Insert M5	8	22	KGE2000Ti-b-07001	Fuel Tank	1	42	KGE2000Ti-03004	Foot Pad	4	62	IG2000/S1A-13110	Control Panel Stamping	1	82	KGE2000Ti-b-07009	Ventilation Pipe Seal Sheath	1
3	KGE2000TiA-03300	Right Cover & Insert	1	23	KGE1000Ti-07004	Filter Net	1	43	GB/T5789-1986	Hexagon Flange Bolt M6X12	7	63	RF-1003-BB2	Rocker Switch	1	83	KGE2000Ti-b-07006	Fuel Tank Ventilation Pipe	1
4	GB/T97.1-2002	Back Up Ring 6	4	24	KGE1000Ti-07012	Hold Hoop φ10	1	44	KGE1000Ti-07008	Fuel Switch Handle	1	64	5-20R	Duplex Receptacle	1	84	KGE2000Ti-b-07400	Carbon Canister	1
5	GB/T818-2000	Cross Recessed Pan Head Screw M5X20	3	25	KGE1000Ti-b-07001	Fuel Pipe I (Fuel Tank-Fuel Switch)	1	45	KGE1000Ti-07304	Screw	1	65	KGE2000Ti-13601	Trigger	1	85	KGE2000Ti-b-07008	Carbon Canister Sub Pressure Pipe	1
6	KGE2000Ti-03600	Spark Plug Maintenance Door	1	26	KGE1000Ti-07006	Hold Hoop φ7	3	46	KGE1000Ti-06102	Handle Fixture Mount	1	66	KGE2000Ti-13340	Rectifier Support	1	86	KGE2000Ti-b-07007	Qir Bend Pipe	1
7	KGE2000Ti-b-07200	Fuel Tank	1	27	KGE1000Ti-07300	Fuel Switch Assembly	1	47	GB/T818-2000	Cross Recessed Pan Head Screw M5X10	2	67	GB/T96.1-2002	Large Back Up Ring 6	2	87	KT5A62	Parallel Output Socket	1
8	KGE2000Ti-07005	Fuel Tank Entrance Pad	1	28	KGE2000Ti-b-07002	Fuel Pipe II (Fuel Switch-Vacuum Pump)	1	48	KI-DHQ-20	3 In 1 Ignitor	1	68	KGE1000Ti-07007	Hold Hoop φ9	3	88	IG2000PS120JA-13404	Receptacle Output Board	1
9	KGE2000Ti-03002	Hexagon Head Recessed Bolt M6X18	2	29	KGE2000Ti-12102a	Hollow Shaft	2	49	KGE2000Ti-04200	Inlet Side Baffle Plate	1	69	KGE2000Ti-04400	Alternator Wire Outlet Seal Pad	1	89	GB/T 818-2000	Screw M4X10	10
10	GB/T818-2000	Cross Recessed Pan Head Screw M5X25	2	30	KGE3000Ti-03017	Micro Switch Baffle Plate	1	50	KGE1000Ti-00006	Screw M6 (Blacken Treatment)	1	70	GB/T5789-1986	Hexagon Flange Bolt M5X12	2	90	KT5A070	Power Cord L=1.7M	2
11	KGE1000Ti-06301	Right Engine Cover Crossed Protection Rack	1	31	KGE2000Ti-b-12110a	Engine Fixture Plate Weldment	1	51	KGE2000Ti-03500	Side Door	1	71	GB/T818-2000	Cross Recessed Pan Head Screw M4X16	2	91	IG2000-13402	Receptacle Cover	1
12	KGE2000Ti-03003	Hexagon Head Recessed Bolt M6X70	1	32	KW4A-Z6CSF200	Micro Switch	1	52	KGE2000TiA-03400	Left Engine Cover & Insert	1	72	GB/T97.1-2002	Back Up Ring 4	4	92	1263	Receptacle 30A/125V	1
13	KD (M) 20 (A) -02000	Alternator Assembly	1	33	KGE2000Ti-04300	Bottom Airway Baffle Plate	1	53	KGE2000Ti-03001	Rear Cover Seal	1	73	GB/T93-1987	Elastic Back Up Ring 4	2	93	IG2000-13401	Rear Cover	1
14	GB/T818-2000	Cross Recessed Pan Head Screw M5 (Blacken Treatment)	8	34	KGE2000Ti-b-07003	Fuel Pipe III (Vacuum Pump-Carburetor)	1	54	KGE1000Ti-06101	Left Engine Cover Cross Protection Rack	1	74	GB/T41-2000	Hexagon Nut M4	2	94	IG2000-13403	Plastic Protection Ring (Diameter=35)	1
15	GB/T97.1-2002	Back Up Ring 5	5	35	GB/T845-1985	Self-Tapping Screw ST3. M5.6	6	55	KGE1000Ti-07100	Fuel Vacuum Pump	1	75	GB/T93-1987	Elastic Back Up Ring 6	3	95	IG2000PS120JA-13400	Parallel Output Assembly	1
16	KGE2000Ti-03009	Front Cover	1	36	GB/T818-2000	Cross Recessed Pan Head Screw M5X12	2	56	GB/T896-1986	Retaining Ring 9	1	76	GB/T845-1985	Screw ST2. 9X12	1	96	IG2000PS120JA-13400	Parallel Output Assembly	1
17	DU20 (120V/60HZ)-C	Inverter	1	37	IG2000/S1A-13100	Control Panel Assembly	1	57	KGE2000Ti-04100	Exhaust Side Buffer Plate	1	77	GB/T70.1-2000	Inner Hexagon Screw M5X30	2	97	PE74	Overload Restart Switch	1
18	KGE1000Ti-00008	Module Shock Absorbing Pad	2	38	GB/T5789-1986	Hexagon Flange Bolt M8X30	4	58	KGE1000Ti-b-07013	Fuel Indicator	1	78	GB/T862.2-1987	Back Up Ring With External Tooth 6	1				
19	KGE1000Ti-00004	Rubber Square Protection Rack	1	39	KGE2000Ti-12101b	Shock Absorbing Pad	4	59	GB/T818-2000	Cross Recessed Pan Head Screw M5X28	1	79	KGE1000Ti-13301	Electrical Protection Shell	1				
20	KGE2000Ti-03200	Rear Cover & Insert	1	40	KD20 (A)-02200	Rotor Assembly	1	60	KBPC2510	Rectifier	1	80	KGE2000Ti-b-07500	Fuel Tank	1				