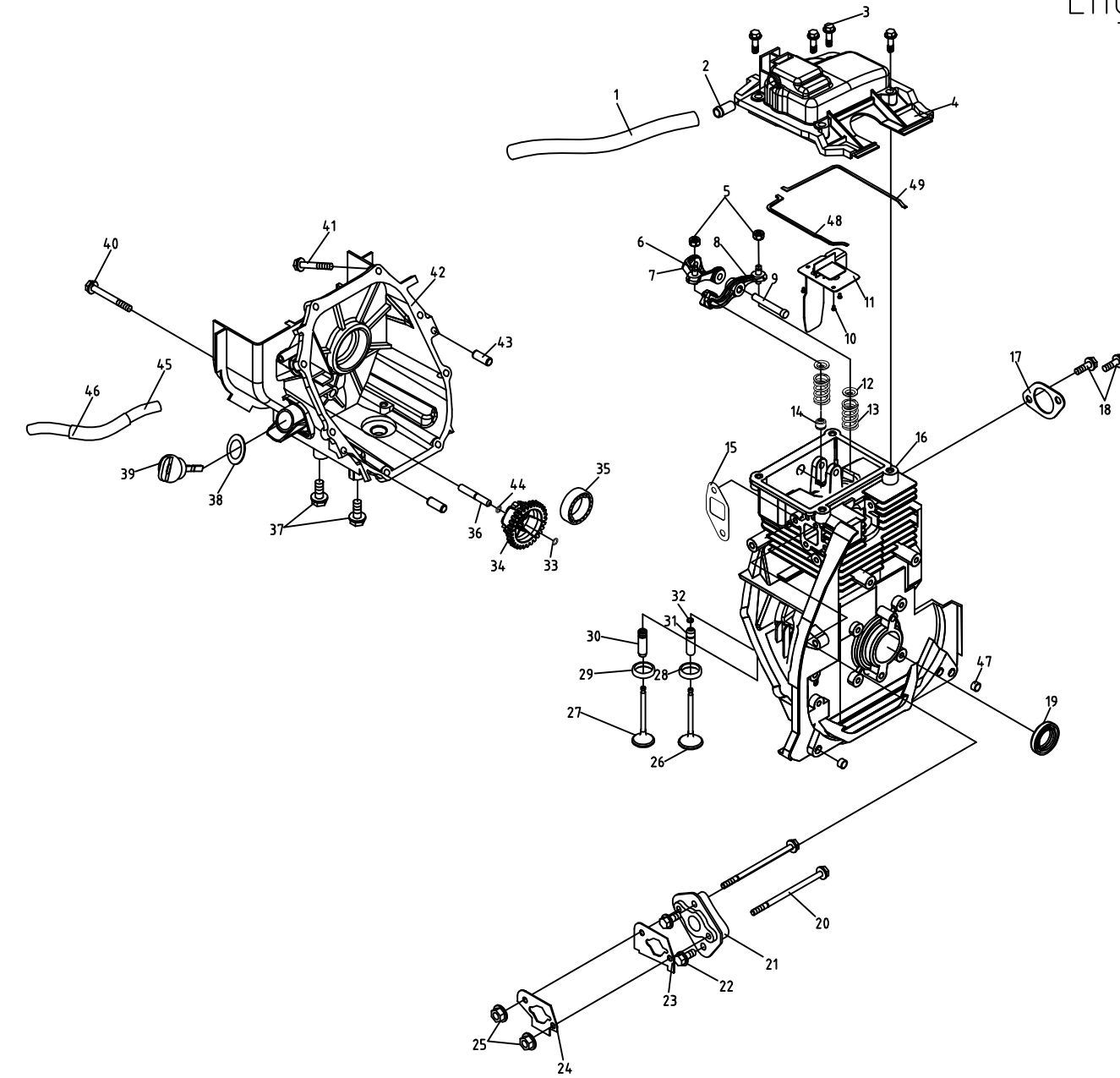
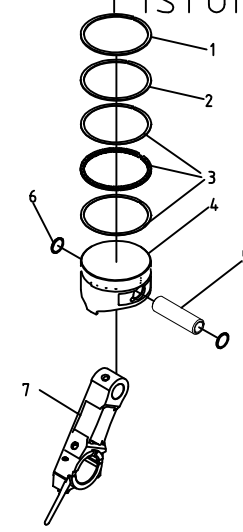


Engine Block (KG105AGTi-01000)



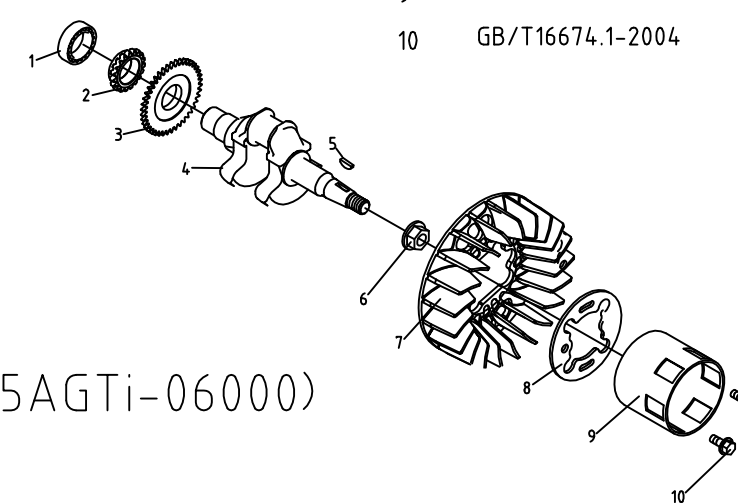
Ref	P/N	Description	Qty	Ref	P/N	Description	Qty
1	KG105AGTi-01036	Vent Pipe	1	26	KG105-01024	Exhaust Valve	1
2	KG105AGTi-01025	Coupling	1	27	KG105-01023	Intake Valve	1
3	GB/T5789-1986	Hexagon Head Bolt M6X25	4	28	KG105-01105	Exhaust Valve Seat	1
4	KG105AGTi-01011	Cylinder Head Cover	1	29	KG105-01104	Intake Valve Seat	1
5	KG105-01005	Adjusting Nut, Valve Clearance	2	30	KG105-01102	Intake Valve Guiding Pipe	1
6	KG105-01006	Adjusting Screw, Valve Clearance	2	31	KG105-01103	Exhaust Valve Guiding Pipe	1
7	KG105AGTi-01401	Intake Valve Rocker Arm	1	32	KG160-02104	Exhaust Valve Guiding Pipe External Retaining Ring	1
8	KG105AGTi-01501	Exhaust Valve Rocker Arm	1	33	KG160-11009	Retaining Ring	1
9	KG105AGTi-01007	Rocker Shaft	1	34	KG105AGTi-01038	Oil-Leakage Gear	1
10	GB/T818-2000	Screw M3X5	3	35	GB/T276-1994	Rolling Bearing 6204	1
11	KG105AGTi-01200	Respirator Cover Plate (I) Weldment	1	36	KG105-01039a	Oil-Leakage Gear Shaft 1	1
12	KG55-01026	Valve Spring Seat	2	37	GB/T5789-1986	Hexagon Head Bolt M8X30	4
13	KG105-01027	Valve Spring	2	38	KG240-01016	Oil Level Gauge Gasket	1
14	KG105-01022	Intake Valve Guiding Pipe Oil Seal	1	39	KG55-01031	Oil Level Gauge	1
15	KG105-01018	Intake Pipe Gasket	1	40	GB/T5789-1986	Hexagon Head Bolt M6X80	1
16	KG105AGTi-01101	Engine Block	1	41	GB/T5789-1986	Hexagon Head Bolt M6X25	8
17	KG105-01021	Exhaust Pipe Gasket	1	42	KG105AGTi-01001	Crankcase Cover	1
18	GB/T5789-1986	Hexagon Head Bolt M6X20	2	43	KG105-01003a	Crankcase Cover Location Pin	2
19	KG105-01004	Oil Seal (Φ32XΦ20X6)	1	44	KG160-11013	Speed Limit Gear Gasket	1
20	KG105-01019	Carburetor Bolt	2	45	KG105AGTi-01034	Negative Pressure Pipe	1
21	KG105-01017	Carburetor Insulation Block	1	46	KG105-01035	Pipe Sleeve	1
22	GB/T16674.1-2004	Bolt M6X25	2	47	KG105-01041	Cushion	2
23	KG55-10004	Carburetor Gasket A	1	48	KG105-01014	Seal Gasket (I)	1
24	KG55-10003	Carburetor Gasket	1	49	KG105-01015	Seal Gasket (II)	1
25	GB/T6177.1-2000	Nut M5	2				

Piston & Connecting Rod Assembly (KG105-04000)



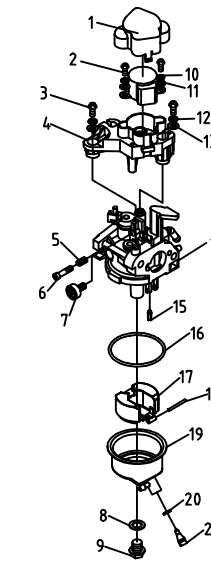
Ref	P/N	Description	Qty
1	KG105-04001	1st Compression Ring	1
2	KG105-04002	2nd Compression Ring	1
3	KG105-04100	Oil Ring	1
4	KG105-04003	Piston	1
5	KG135L-04004	Piston Pin	1
6	KG135L-04005	Retaining Ring	2
7	KG105-04200	Connecting Rod	1

Crankshaft & Flywheel Assembly (KG105-05000)



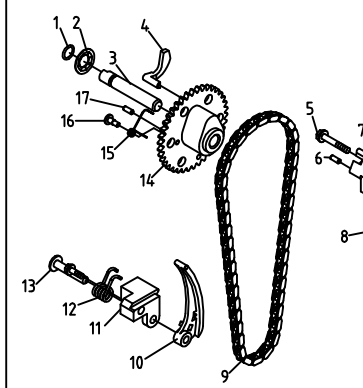
Ref	P/N	Description	Qty
1	GB/T276-1994	Rolling Bearing 6204	1
2	KG105-05002	Crankshaft Timing Link Wheel	1
3	KG105-05003	Driving Gear	1
4	KG105-05001	Crankshaft	1
5	KG55-05003	Key 3X4.9X16	1
6	KG105-05008	Flywheel Nut	1
7	KG105-05005	Fan Wheel	1
8	KG105-05006	Fan Wheel Pressing Plate	1
9	KG105-05007b	Starting Claw Disk	1
10	GB/T16674.1-2004	Bolt M6X12	2

Carburetor Assembly (KG105-b-10000)



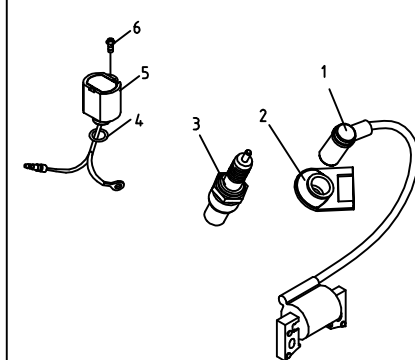
Ref	P/N	Description	Qty
1	KG55-10002	Motor Bracket Cover	1
2	GB/T818-2000	Screw M3X5	2
3	GB/T818-2000	Screw M4X10	2
4	KG55-10001	Motor Bracket	1
5	P15-021	Adjusting Spring	1
6	P15-009	Mixed Ratio Adjusting Screw	1
7	P15-014	Idle Set Screw	1
8	P15-010	Seal Sleeve	1
9	P15-034	Oil Cup Fastening Screw	1
10	GB/T93-1987	Spring Back Up Ring 3	2
11	GB/T848-1985	Back Up Ring 3	2
12	GB/T93-1987	Spring Back Up Ring 4	2
13	GB/T848-1985	Back Up Ring 4	2
14	P15-b-000	Carburetor	1
15	P15-012	Oil Control Needle	1
16	P15-004	Oil Cup Seal Ring	1
17	P15-002	Floater	1
18	P15-011	Pin, Float	1
19	P15-006	Oil Cup	1
20	P15-024	Seal Ring	1
21	P15-025	Oil Drain Screw	1

Valve & Pressure Reducing Mechanism (KG105AGTi-06000)

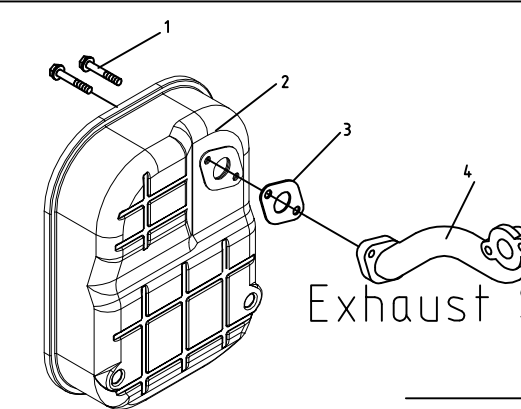


Ref	P/N	Description	Qty
1	KG105AGTi-06014	O-Seal Ring(6x2)	1
2	KG105AGTi-06103	Diaphragm Spring	1
3	KG105AGTi-06013	Driving Shaft	1
4	KG105AGTi-06102	Decompression Flyweight	1
5	GB/T170.1-2000	Screw M6x25	2
6	GB/T119.2-2000	Pin 6x15	1
7	KG105-06012	Fixture Block	1
8	KG105-06003	Chain Supporting Plate	1
9	KG105-06002	Roller Chain	1
10	KG105-06001	Chain Plate	1
11	KG105-06011	Block	1
12	KG105-06008a	Tension Spring	1
13	KG105-06009	Tension Spring Pin Shaft	1
14	KG105AGTi-06101	Cam Timing Driving Link Wheel	1
15	KG105-06006	Return Spring	1
16	KG105-06007	Return Spring Pin Shaft	1
17	GB/T879.1-2000	Pin 3x12	1

Ignition System (KG105AGTi -14000)



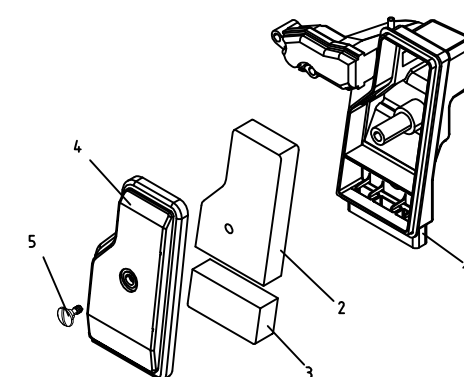
Ref	P/N	Description	Qty
1	KG105-14100	Ignition Coil	1
2	KG105AGTi-14101	Seal Sleeve	1
3	BOSCH R6 UR5 SUF	Spark Plug	1
4	KG105-14201	O-Seal Ring (11.7x2.5)	1
5	KG105-14200	Oil Alert	1
6	GB/T5789-1986	Bolt M6X14	1



Exhaust System (KG105-b-08000)

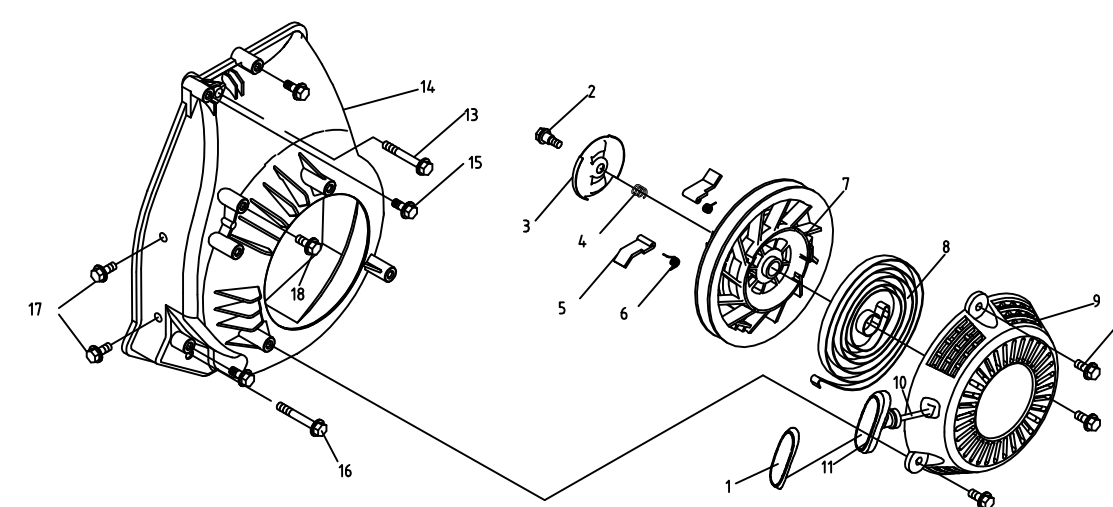
Ref	P/N	Description	Qty
1	GB/T5789-1986	Bolt M6X70	2
2	KG105-b-08100c	Muffler Weldment	1
3	KG105-08002	Muffler Gasket	1
4	KG105-b-08001	Exhaust Pipe	1

Air-Intake System (KG105AGTi-b-07000)



Ref	P/N	Description	Qty
1	KG105AGTi-b-07100	Air Filter Shell	1
2	KG105-07003	Fine Filter Element	1
3	KG105-07004	Rough Filter Element	1
4	KG105-07001	Air Filter Cover	1
5	KG105-07002	Fastening Screw	1

Recoil Starter & Wind Scooper Assembly (KG105-12000)



Ref	P/N	Description	Qty
1	KG160-12202	Starter Handle Cover	1
2	KG240-12006	Fastening bolt	1
3	KG240-12005	Claw Guiding Plate	1
4	KG240-12004	Friction Spring	1
5	KG240-12008	Claw	2
6	KG240-12007	Claw Spring	2
7	KG105-12203	Starter Winding Shaft	1
8	KG160-12003	Recoil Starter Spring	1
9	KG105-12210	Starter Shell	1
10	KG160-12009	Starting String	1
11	KG105-12201	Starting Handle	1
12	GB/T5789-1986	Bolt M6X16	3
13	GB/T5789-1986	Bolt M6X40	1
14	KG105-12100	Wind Scooper	1
15	GB/T5789-1986	Bolt M6X20	2
16	GB/T5789-1986	Bolt M6X50	2
17	GB/T5789-1986	Bolt M5X10	1
18	GB/T5789-1986	Bolt M6X10	1